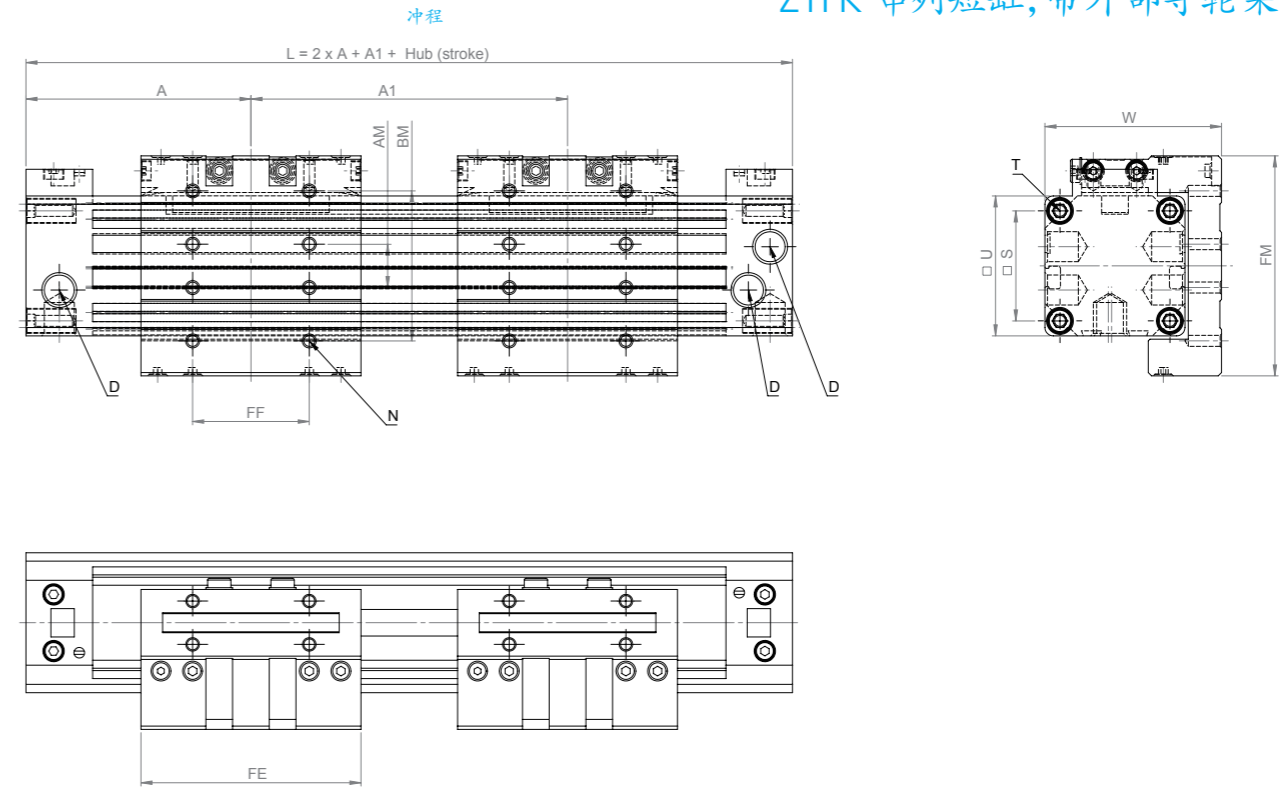
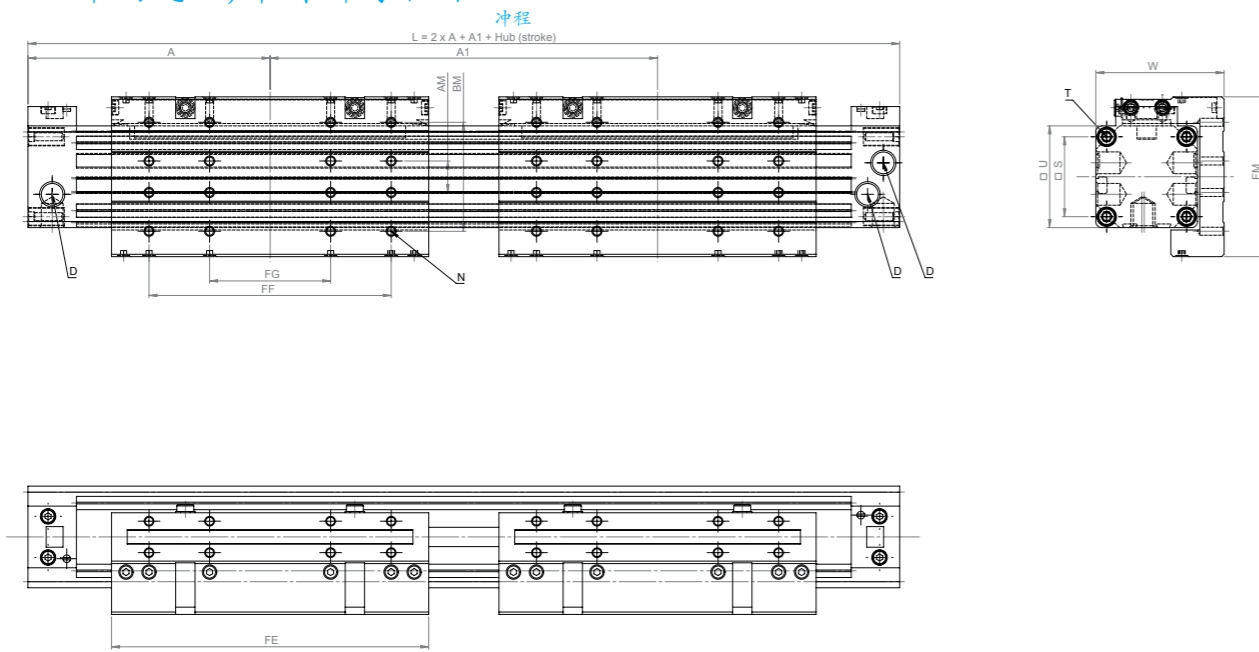


ZTF 串联气缸, 带外部导轮架

ZTFK 串联短缸, 带外部导轮架



Measurements table

测量值表

Piston-Ø 活塞-Ø	Ø 18 mm	Ø 25 mm	Ø 32 mm	Ø 40 mm	Ø 50 mm	Ø 63 mm
A	80	100	120	150	180	215
A1 at least 最小A1	127	160	200	252	312	370
AM	10	13	16	22	29	40
BM	35	45	55	70	85	105
D x thread D x 螺纹深度	M5 x 6 mm	G1/8" x 8 mm	G1/8" x 8 mm	G1/4" x 12 mm	G1/4" x 12 mm	G3/8" x 12 mm
FE	103	131	171	220	280	333
FF	75	100	140	180	220	280
FG	- - -	50	70	90	110	140
FM	50	66	80	97	116	136
L	L = 2 x A + A1 + Stroke 冲程					
N x thread depth N x 螺纹深度	M4 x 7,5 mm	M4 x 8 mm	M5 x 10 mm	M6 x 12 mm	M8 x 16 mm	M8 x 16 mm
S	23,5	33	41	51	63	78
T x thread depth T x 螺纹深度	M3 x 7 mm	M4 x 9 mm	M5 x 10 mm	M6 x 12 mm	M8 x 12 mm	M8 x 12 mm
U	30	42	52	63	78	93
W	39	53	65	79	96	113,5
Cushioning length 缓冲长度	15	18	24	34	40	49

Example for order:
ZTF Ø 25 Tandem cylinder with guide carriage
distance A1 200 mm with stroke 100 mm

订单示例:
ZTF Ø 25 串联气缸, 带导轮架
距离A1 200, 冲程100 mm

Order number 订单编号

6	2	5	3	-	0	2	0	0	-	0	1	0	0
---	---	---	---	---	---	---	---	---	---	---	---	---	---

Measurements table

测量值表

Piston-Ø 活塞-Ø	Ø 18 mm	Ø 25 mm	Ø 32 mm	Ø 40 mm	Ø 50 mm	Ø 63 mm
A	80	100	120	150	180	215
A1 at least 最小A1	127	160	200	252	312	370
AM	10	13	16	22	29	40
BM	35	45	55	70	85	105
D x thread depth D x 螺纹深度	M5 x 6 mm	G1/8" x 8 mm	G1/8" x 8 mm	G1/4" x 12 mm	G1/4" x 12 mm	G3/8" x 12 mm
FE	103	131	171	220	280	333
FF	75	100	140	180	220	280
FG	- - -	50	70	90	110	140
FM	50	66	80	97	116	136
L	L = 2 x A + A1 + Stroke 冲程					
N x thread depth N x 螺纹深度	M4 x 7,5 mm	M4 x 8 mm	M5 x 10 mm	M6 x 12 mm	M8 x 16 mm	M8 x 16 mm
S	23,5	33	41	51	63	78
T x thread depth T x 螺纹深度	M3 x 7 mm	M4 x 9 mm	M5 x 10 mm	M6 x 12 mm	M8 x 12 mm	M8 x 12 mm
U	30	42	52	63	78	93
W	39	53	65	79	96	113,5
Cushioning length 缓冲长度	15	18	24	34	40	49

Example for order:
ZTFK Ø 25 Tandem cylinder short with guide carriage
distance A1 200 mm with stroke 100 mm

订单示例:
ZTFK Ø 25 串联短缸, 带导轮架
距离A1 200, 冲程100 mm

Order number 订单编号

6	2	5	4	-	0	2	0	0	-	0	1	0	0
---	---	---	---	---	---	---	---	---	---	---	---	---	---