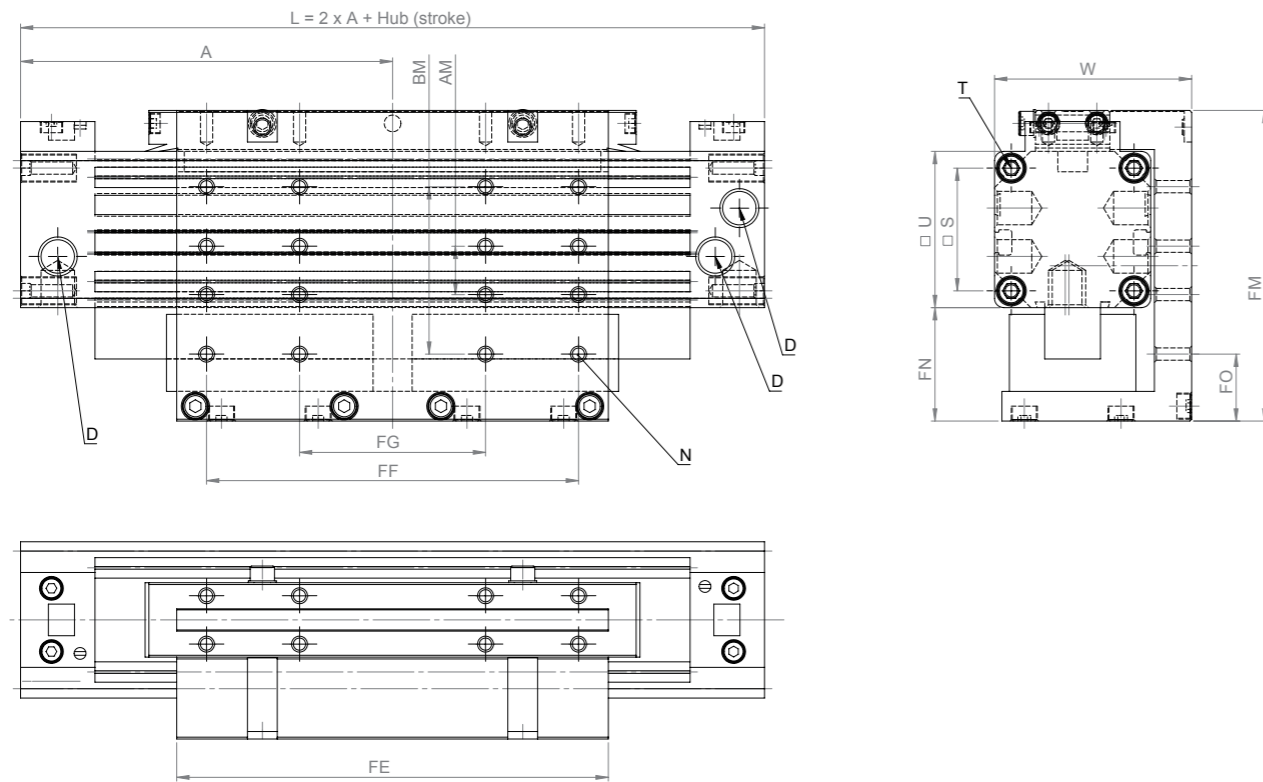


ZSS 导流缸, 带外部滚珠轴承



Measurements table

Piston-Ø 活塞-Ø	Ø 18 mm	Ø 25 mm	Ø 32 mm	Ø 40 mm	Ø 50 mm	Ø 63 mm
A	80	100	120	150	180	215
AM	10	13	16	22	29	40
BM	35	45	55	70	85	105
D x thread depth D x 螺纹深度	M5 x 6 mm	G1/8" x 8 mm	G1/8" x 8 mm	G1/4" x 12 mm	G1/4" x 12 mm	G3/8" x 12 mm
FE	90	116	156	200	260	313
FF	75	100	140	180	220	280
FG	---	50	70	90	110	140
FM	60,5	83,5	101	120	151	168,5
FN	20,5	30,5	36	41	55	55
FO	13	18	22	25	33	32
L	L = 2 x A + Stroke 冲程					
N x thread depth N x 螺纹深度	M4 x 7,5 mm	M4 x 8 mm	M5 x 10 mm	M6 x 12 mm	M8 x 16 mm	M8 x 16 mm
S	23,5	33	41	51	63	78
T x thread depth T x 螺纹深度	M3 x 7 mm	M4 x 9 mm	M5 x 10 mm	M6 x 12 mm	M8 x 12 mm	M8 x 12 mm
U	30	42	52	63	78	93
W	39	53	65	79	96	113,5
Cushioning length 缓冲长度	15	18	24	34	40	49

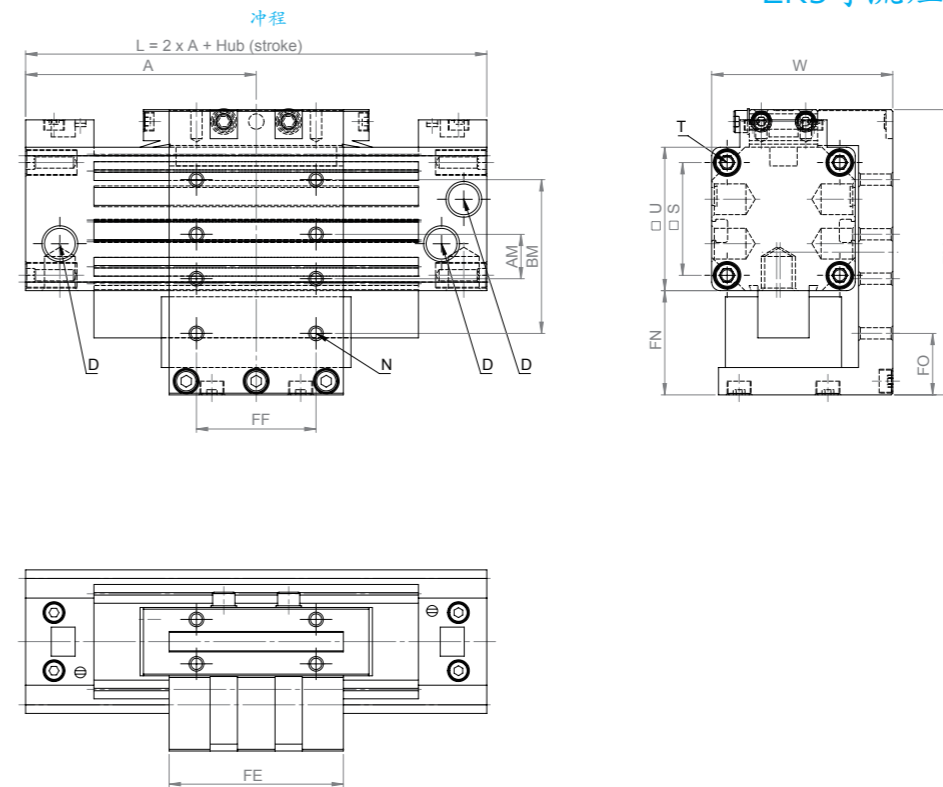
Example for order:
ZSS Ø 25 Guiding cylinder with external ball bearing
with stroke 100 mm

订单示例:
ZSS Ø 25导流缸, 带外部滚珠轴承
冲程100 mm

Order number	订单编号
Port Standard	标准端口



ZKS 导流短缸, 带外部滚珠轴承



Measurements table

Piston-Ø 活塞-Ø	Ø 18 mm	Ø 25 mm	Ø 32 mm	Ø 40 mm	Ø 50 mm	Ø 63 mm
A	57,5	67,5	77,5	95	105	125
AM	10	13	16	22	29	40
BM	35	45	55	70	85	105
D x thread depth D x 螺纹深度	M5 x 6 mm	G1/8" x 8 mm	G1/8" x 8 mm	G1/4" x 12 mm	G1/4" x 12 mm	G3/8" x 12 mm
FE	45	51	71	90	110	133
FF	30	35	55	70	70	100
FM	60,5	83,5	101	120	151	168,5
FN	20,5	30,5	36	41	55	55
FO	13	18	22	25	33	32
L	L = 2 x A + Stroke 冲程					
N x thread depth N x 螺纹深度	M4 x 7,5 mm	M4 x 8 mm	M5 x 10 mm	M6 x 12 mm	M8 x 16 mm	M8 x 16 mm
S	23,5	33	41	51	63	78
T x thread depth T x 螺纹深度	M3 x 7 mm	M4 x 9 mm	M5 x 10 mm	M6 x 12 mm	M8 x 12 mm	M8 x 12 mm
U	30	42	52	63	78	93
W	39	53	65	79	96	113,5
Cushioning length 缓冲长度	15	18	24	34	40	49

Example for order:
ZKS Ø 25 Guiding cylinder short with external ball bearing
with stroke 100 mm

订单示例:
ZKS Ø 25导流短缸, 带外部滚珠轴承
冲程100 mm

Order number	订单编号
Port Standard	标准端口

测量值表