



ZTS Tandem cylinder
ZTS 串联气缸

ZT Tandem cylinder

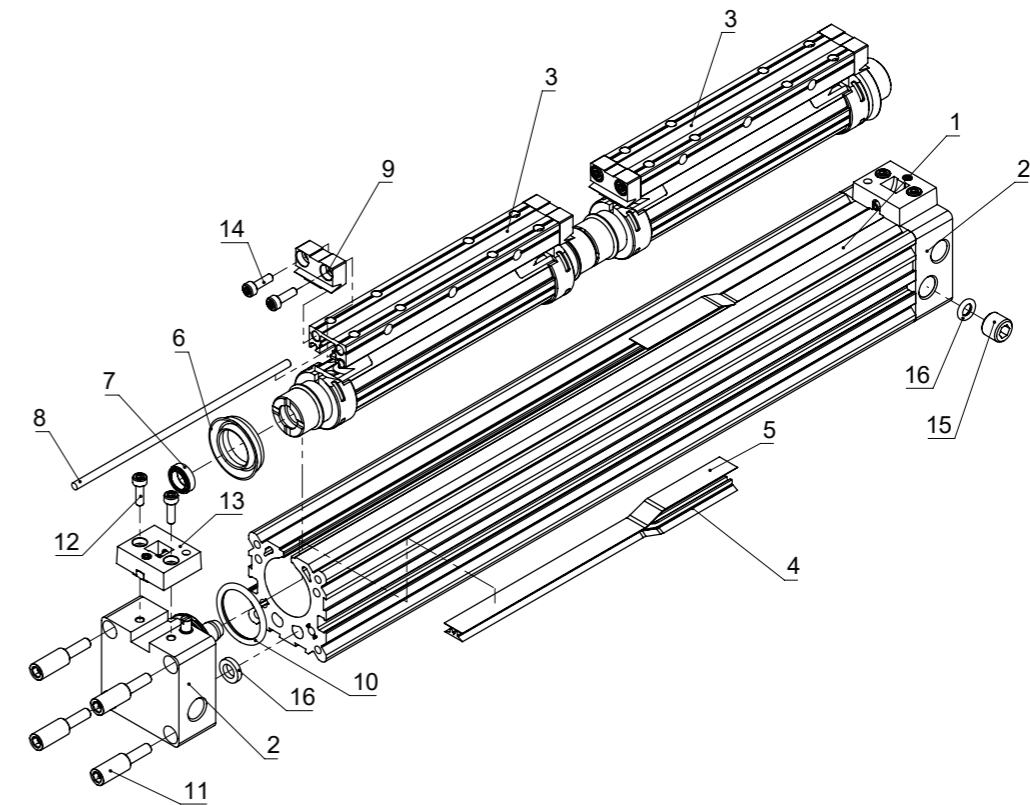
Technical information

- Special cylinder with two yokes arranged in series for supporting longer parts.
- Depending on the requirement, ZT can be used in the ZS/ ZK, ZF/ZFK or ZSS/ZKS versions.
- The installation distance of the two yokes in series can be selected independently of the stroke as per the application requirements (A1).
- Depending on the installation of the ZT, it may be used as a parallel cylinder as well.

ZT 串联气缸

技术信息

- 特制缸，两个活塞杆按序排列，用于支持长缸体。
- ZT 串联气缸可根据用户的需求，应用于 ZS/ ZK、ZF/ZFK 或 ZSS/ZKS 气缸中。
- 两个串联活塞杆的安装距离可根据用户的应用需求 (A1) 选择，而与冲程无关。
- 根据不同的安装方式，ZT 串联气缸也可以用作平行气缸。



Part list

零件清单

Pos. 序号	Description 说明	Order number	Order number	Piece 件数
		ZTS 订单编号	ZTK 订单编号	
1	Profile tube 异形管材	1XX0-0011		1
2	End cape set 端盖组件	0XX0-0121		1
3	Yoke 活塞杆	1XX0-1051	2XX0-1051	2
4	PU-sealing strip 密封条	1XX0-0033		
5	Cover strip 盖条	1XX0-0041		
6	Piston seal 活塞密封件	1XX0-8008		2
7	Cushion ring 缓冲环	1XX0-8001		2
8	Wiper 除尘杆	1XX0-0171		4
9	Head wiper 除尘杆端盖	1XX0-0152		4
10	O-Ring O形环	1XX0-8090		2
11	Special screw 特制螺栓	1XX0-0261		8
12	Cylinder head screw 气缸头螺栓	DIN 912 / ISO 4762		4
13	Tape cap 防尘端盖	1XX0-1142		2
14	Special screw 特制螺栓	DIN 912 / ISO 4762		8
15	Lock screw 锁紧螺栓	1XX0-0183		6
16	O-Ring O形环	1XX0-8092		6
17	Flat seal 扁密封件	1XX0-8240		2

XX = Cylinder diameter 气缸直径